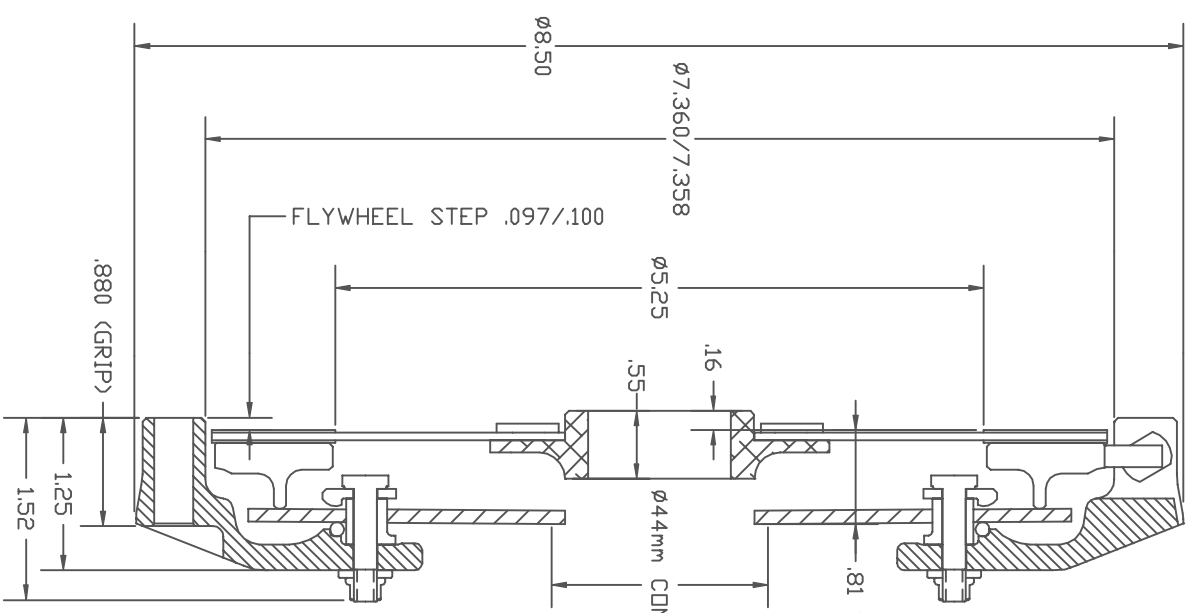


ILLUSTRATED WITH DISC PACK 64185-0-F-36



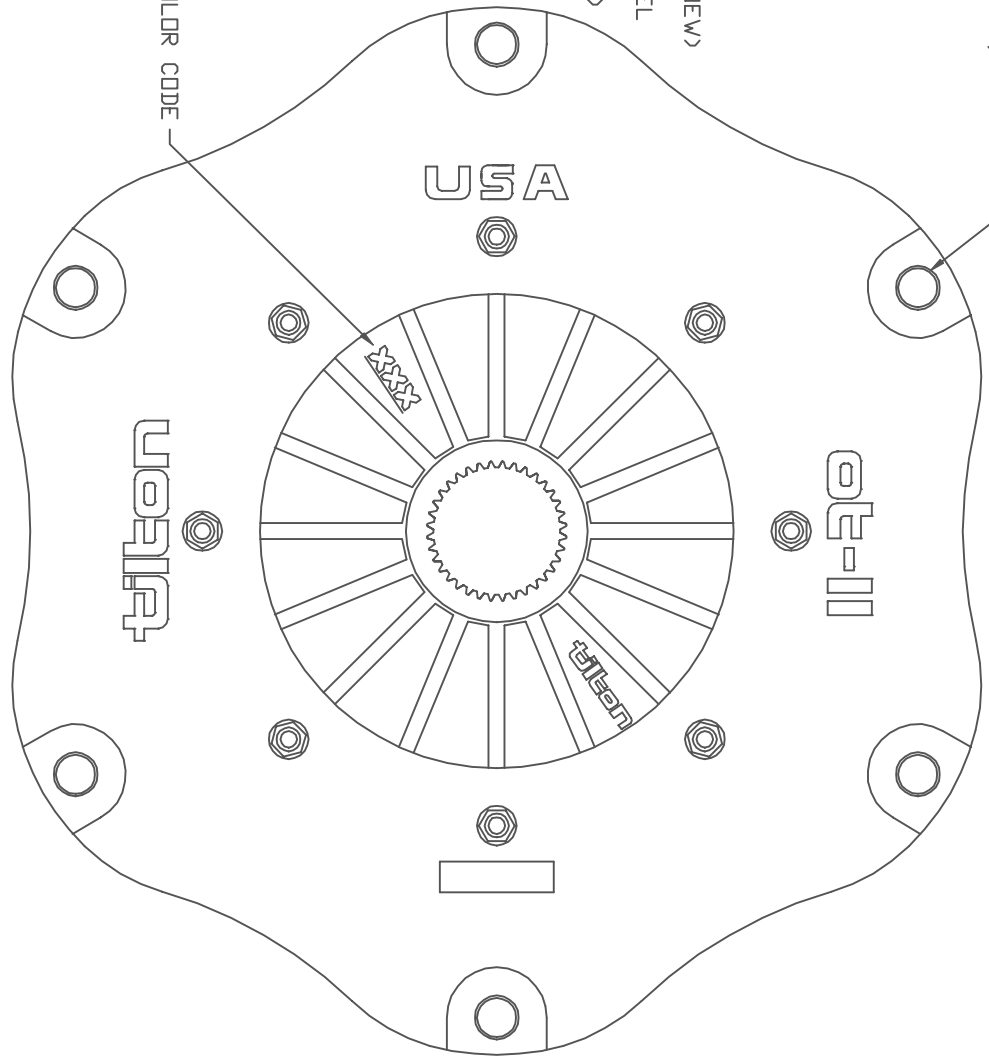
Ø.316, 6 PL, EQ. SP., 7.875 BCD.

.81 SET-UP HEIGHT (NEW)
FROM FRICTION
FACE OF FLYWHEEL
TO SPRING AT
BEARING CONTACT

Ø4.4mm CONTACT

SPRING COLOR CODE

INERTIA = 44.1 LB-IN²
WEIGHT = 5.07 LB



TILTON ENGINEERING, INC.
25 EASY STREET, P.O. BOX 1787, BUELLTON, CA 93427 805/688-2353
FAX 805/688-2745

TITLE: 7-1/4" METALLIC CLUTCH SINGLE PLATE

DRAWN BY WAHL	CHKD ONEIL	SCALE 1 : 1	DWG 3904
P/N 66-001XX	DATE 5/3/99	SHEET 1 OF 1	

This document contains proprietary information of TILTON ENGINEERING, INC., and its receipt or possession does not convey the rights to reproduce, disclose its contents, or to manufacture, use or sell anything it may describe. Reproduction, disclosure, or use without specific written authorization of TILTON ENGINEERING INC. is strictly forbidden.