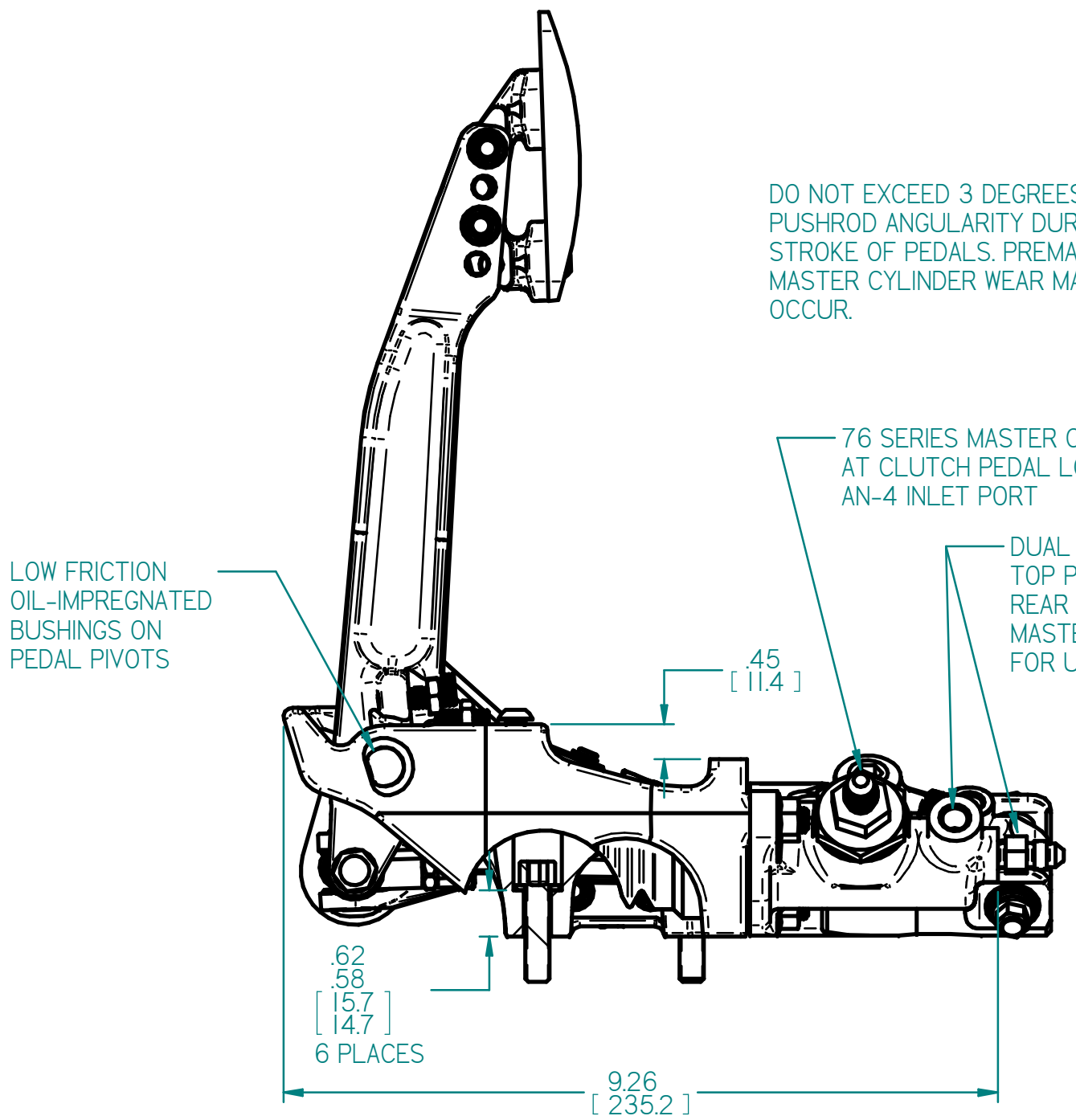
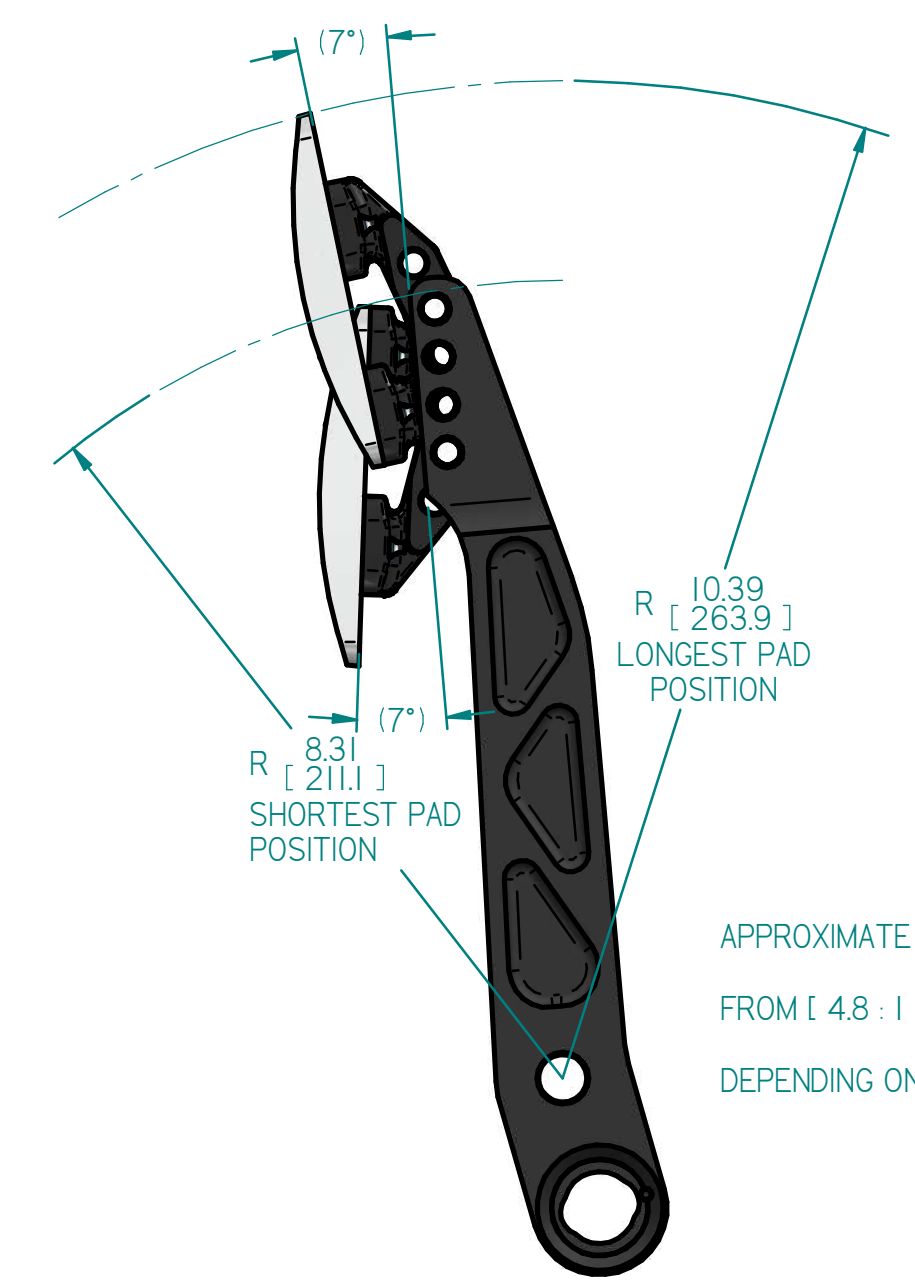
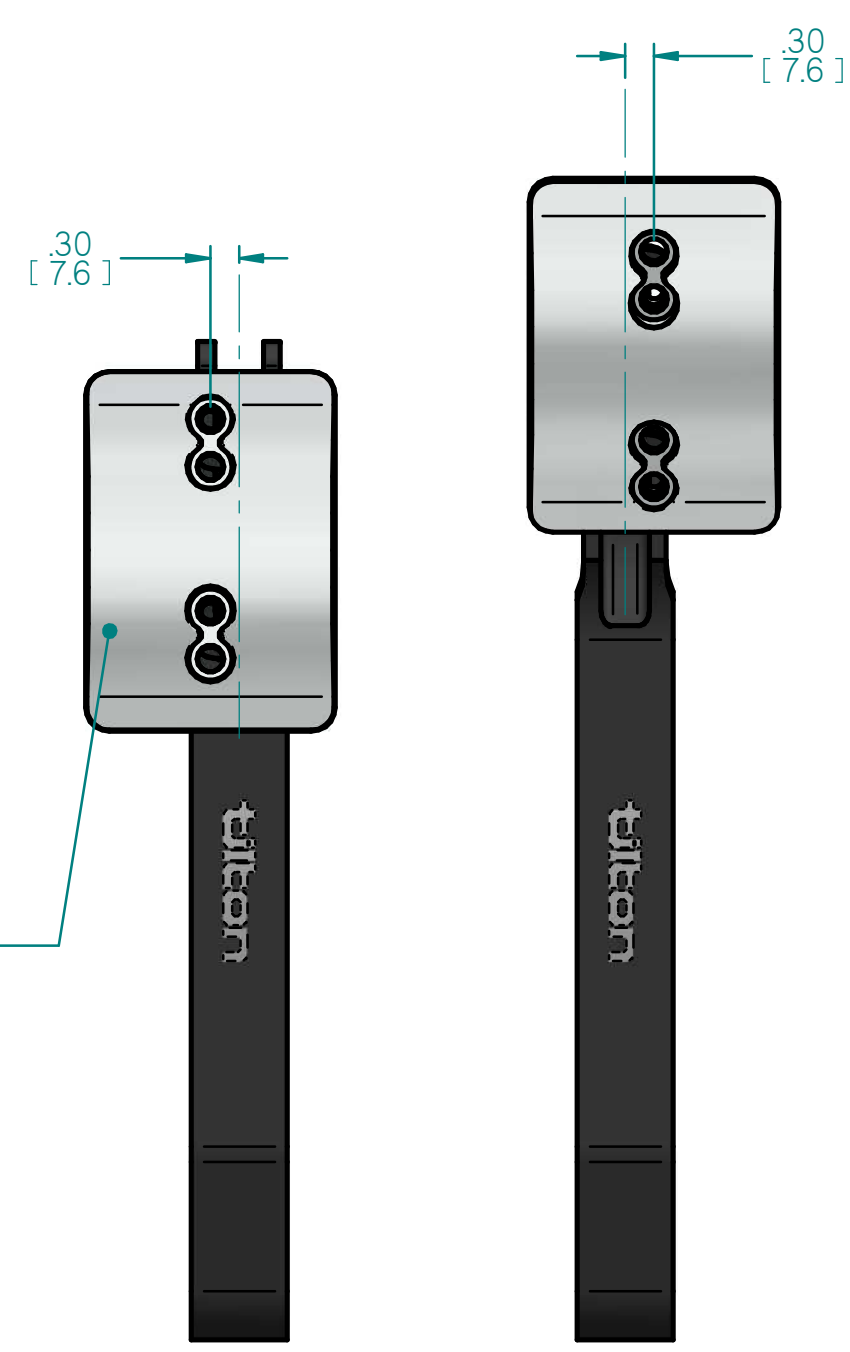
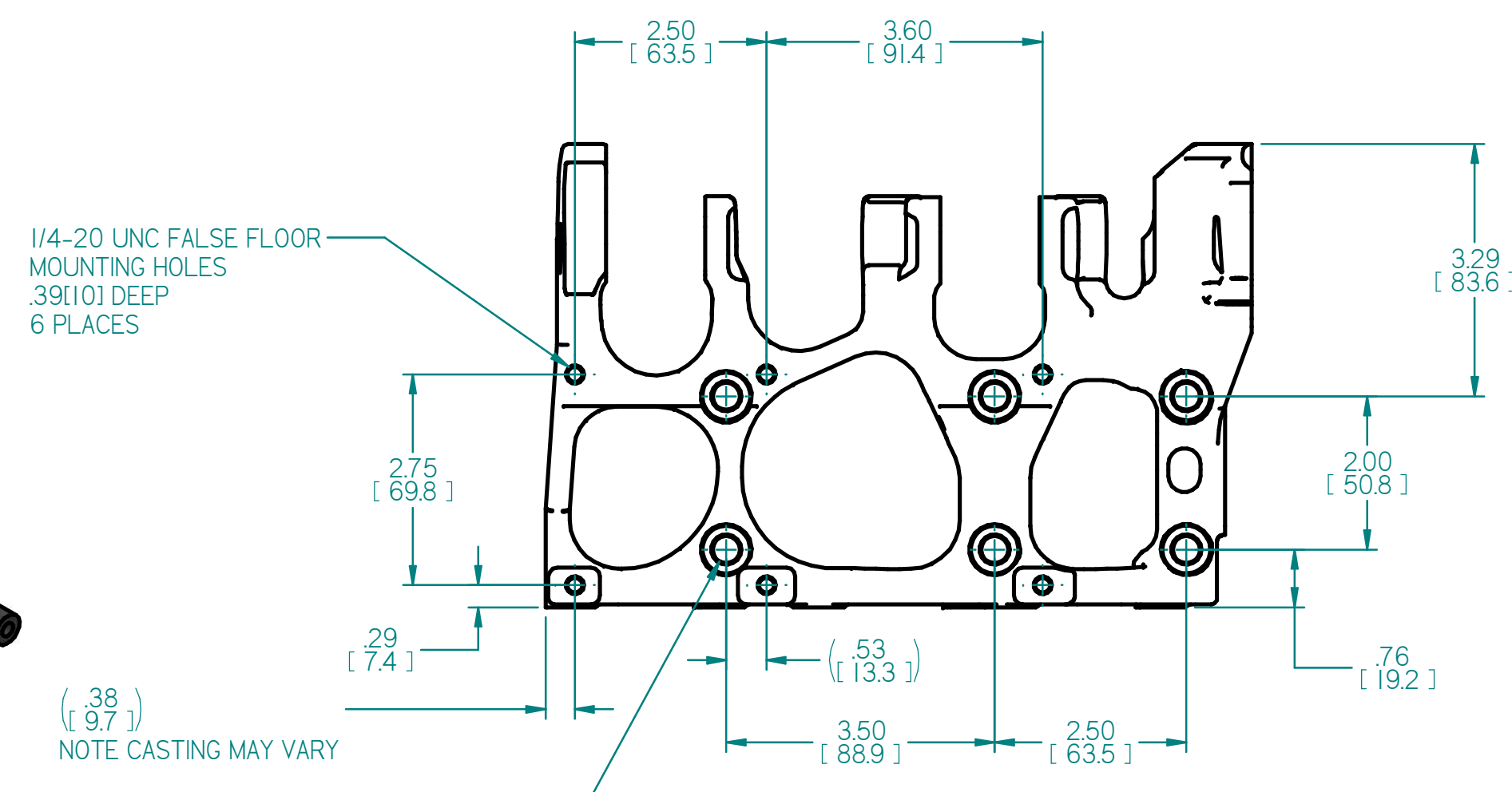


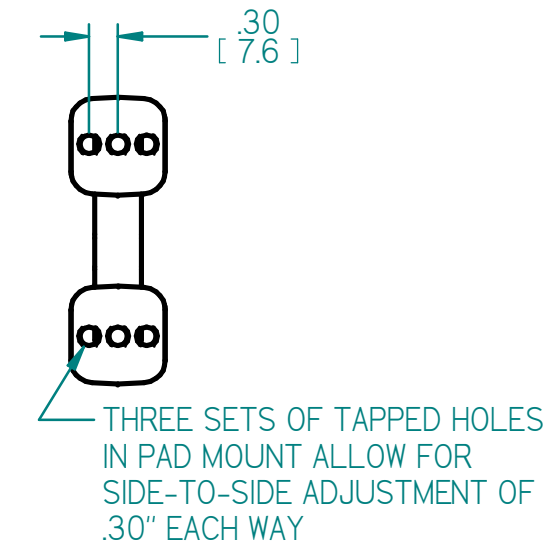
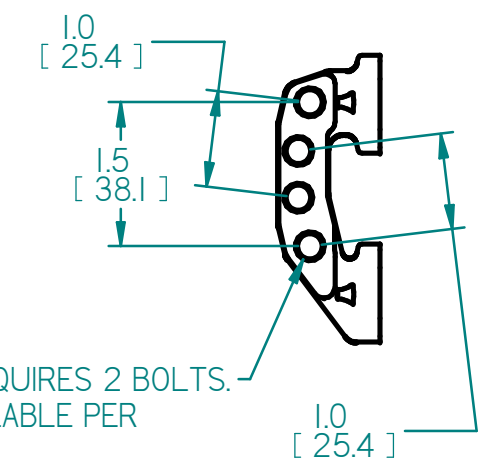
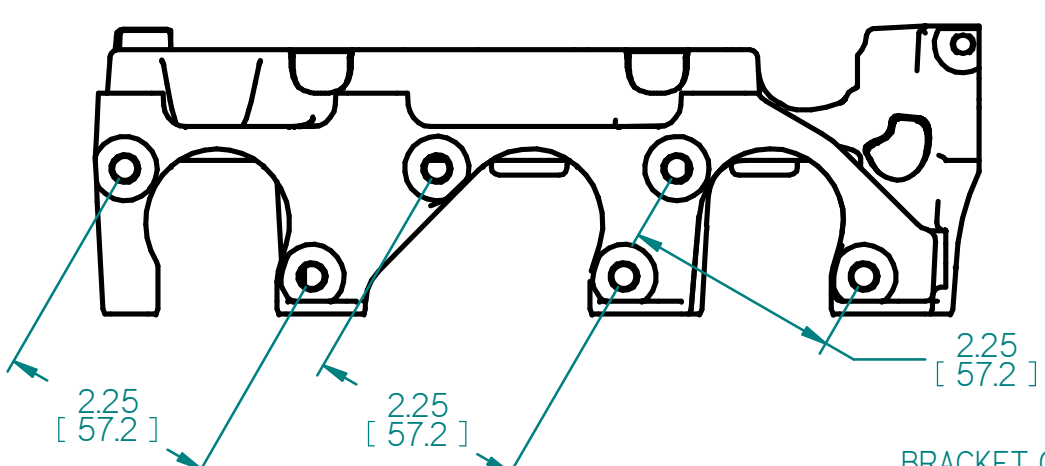
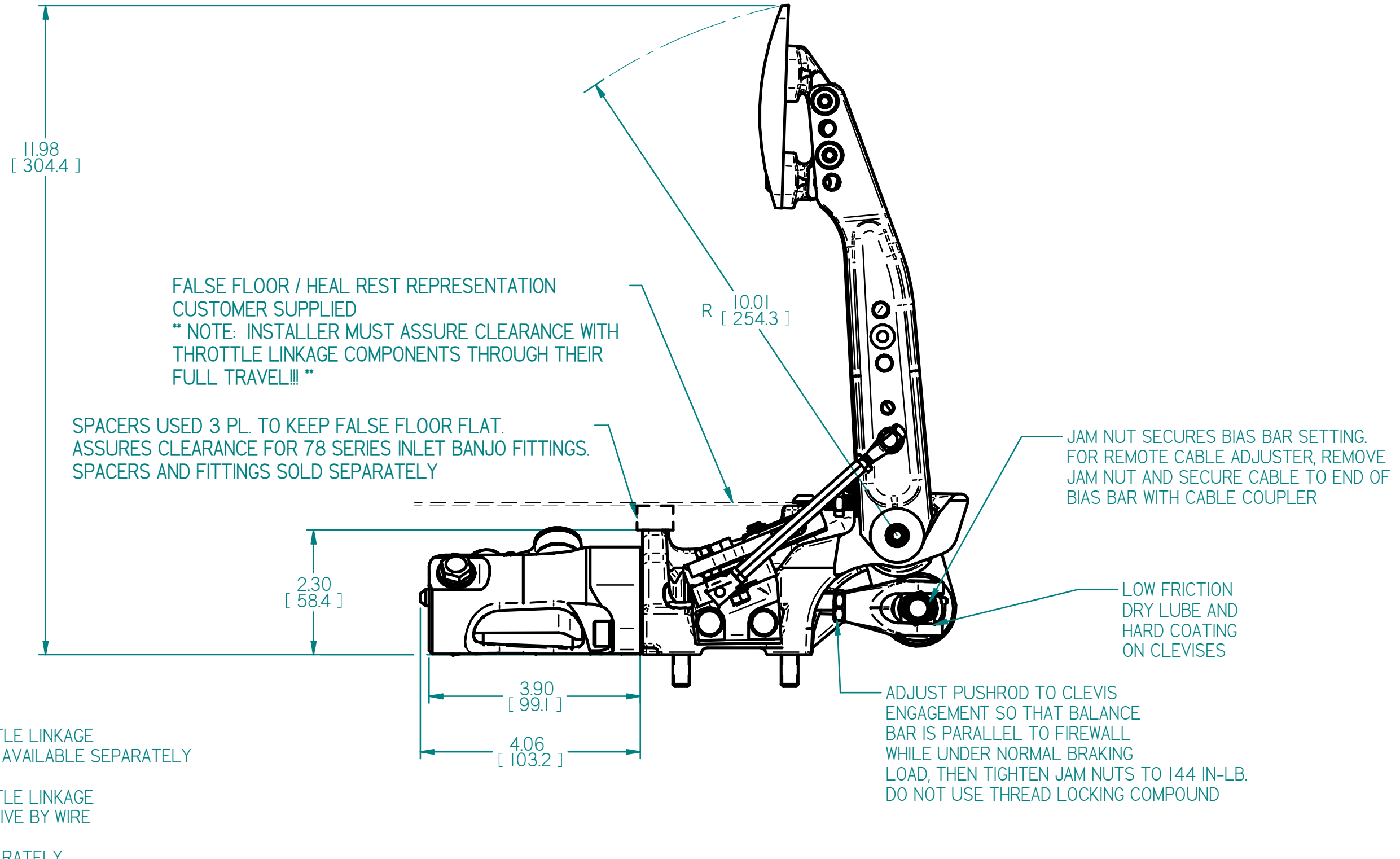
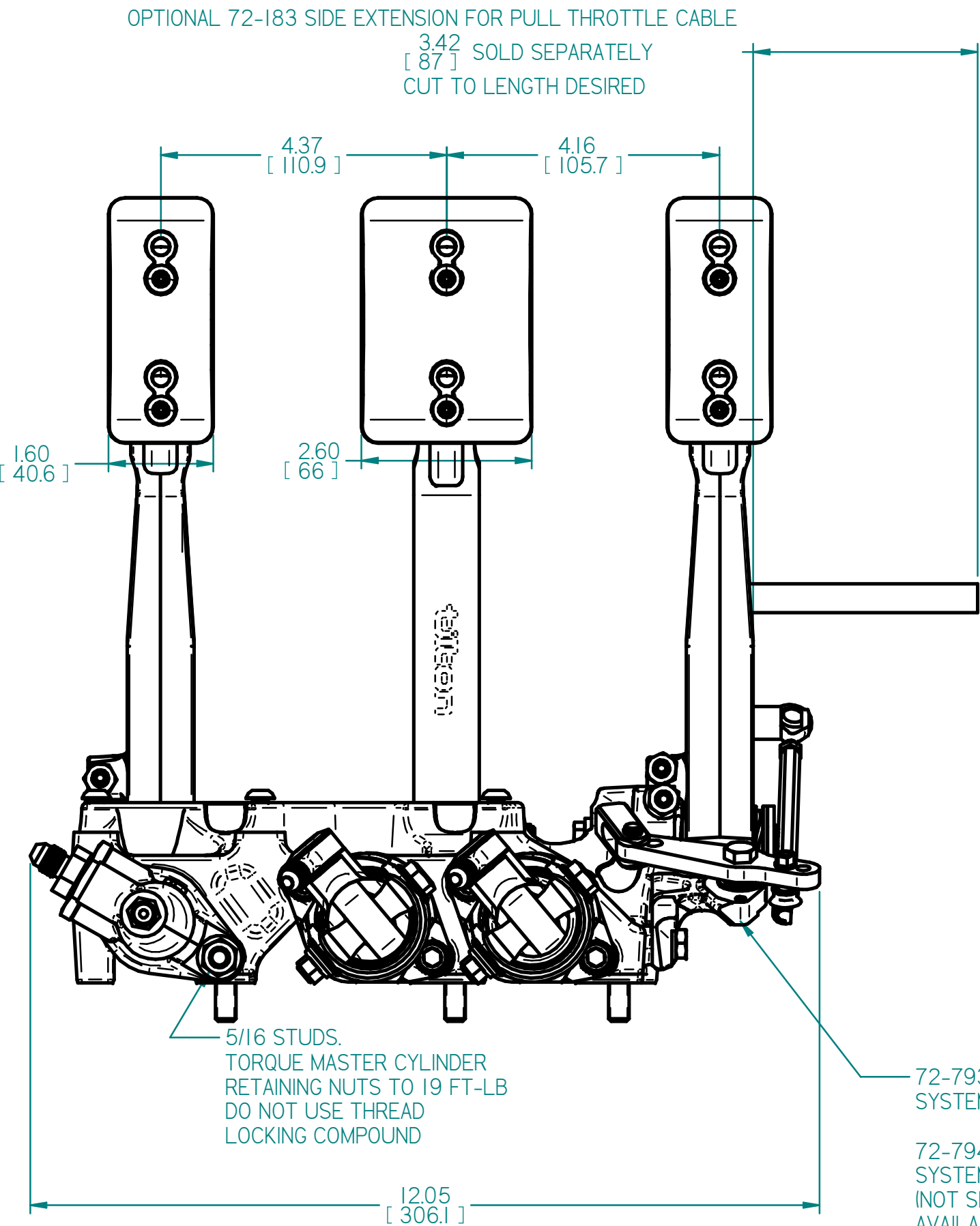
78-3400 LOW PROFILE AN4 BANJO BOLT FITTING FOR 78 SERIES INLET SOLD SEPARATELY



PEDAL ASSEMBLY IS COMPATIBLE WITH TILTON ENGINEERING 78 SERIES MASTER CYLINDERS AT BOTH BRAKE PEDAL LOCATIONS 76 SERIES MASTER CYLINDERS AT CLUTCH PEDAL ALL SOLD SEPARATELY

76/78 SERIES MASTER CYLINDERS SHOWN HERE ARE FOR ILLUSTRATION PURPOSES ONLY AND ARE NOT INCLUDED WITH PEDAL ASSEMBLY

- NOTES:
1. DIMENSIONS AND TOLERANCES PER ASME Y14.5 - 2009
  2. UNLESS OTHERWISE SPECIFIED, ALL DIMENSIONS ARE IN INCHES.
  3. DIMENSIONS ARE NOMINAL.



TILTON ENGINEERING, INC.		(805) 688-2353 FAX (805) 688-2745	
25 EASY STREET P.O. BOX 1787 BUELLTON, CALIFORNIA 93427 USA			
TITLE: PEDAL ASSEMBLY, UNDERFOOT, 3 PEDAL, PIVOT TYPE BRAKE MASTERS THROTTLE, BRAKE AND CLUTCH PEDALS			
DRN BY LUND	CHKD WAHL	SCALE 1:2	DWG 6522
P/N 72-816	DATE 6/20/2014	SHEET 1 OF 1	REV NC