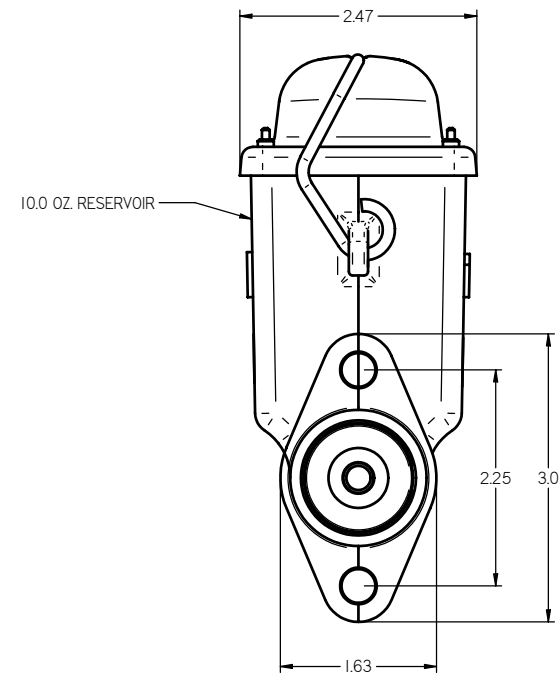
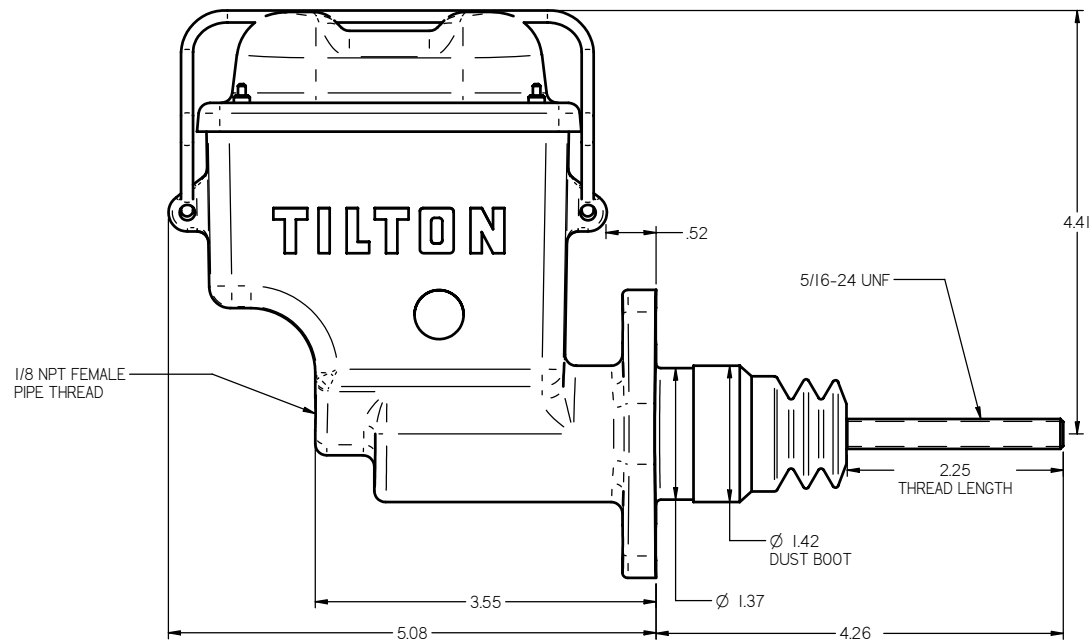
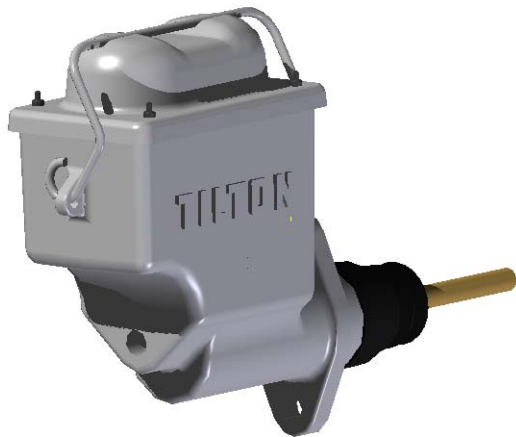


ZONE	CHK'D	DATE	REV	ECN	CHANGE OR ADDITION
------	-------	------	-----	-----	--------------------



NOTES:  
1. ALL DIMENSIONS ARE IN INCHES.

<b>TOLERANCES:</b> UNLESS SPECIFIED OTHERWISE .X ± .020 .XX ± .010 .XXX ± .005 FRACT ± 1/32 ANGLE ± 1/2° CONQ(TIR) .005		<b>DRILL HOLES</b> .013-.040 +.001/- .001 .041-.130 +.002/- .001 .131-.229 +.003/- .001 .230-.500 +.004/- .001 .501-.750 +.005/- .001 .751-1.000 +.007/- .001 1.001-2.000 +.010/- .001		<b>MAT'L</b> <b>SPEC</b> <b>COND</b> <b>HARD</b> <b>FINISH</b> <b>SPEC</b>	<b>TILTON ENGINEERING, INC.</b> (805)688-2353 FAX (805)688-2745 25 EASY STREET P.O. BOX 1787 BUELLTON, CALIFORNIA 93427 USA <b>TITLE:</b> INSTALLATION DRAWING 73 SERIES MASTER CYLINDERS	DRN BY CHAMBERS P/N 73-XXX	CHK'D VAN SCHMUS DATE 4/1/05	SCALE 1 : 1 SHEET 1 OF 1	DWG <b>4935</b>
---	--	---	--	---	--	-------------------------------	---------------------------------	-----------------------------	--------------------

**TILTON ENGINEERING**

This document contains proprietary information of TILTON ENGINEERING, INC. and its receipt or possession does not convey the rights to reproduce, disclose its contents, or to manufacture, use or sell anything it may describe. Reproduction, disclosure, or use without specific written authorization of TILTON ENGINEERING, INC. is strictly forbidden.