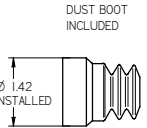
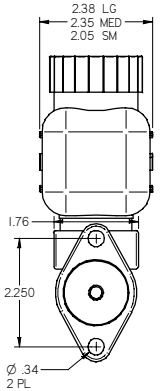
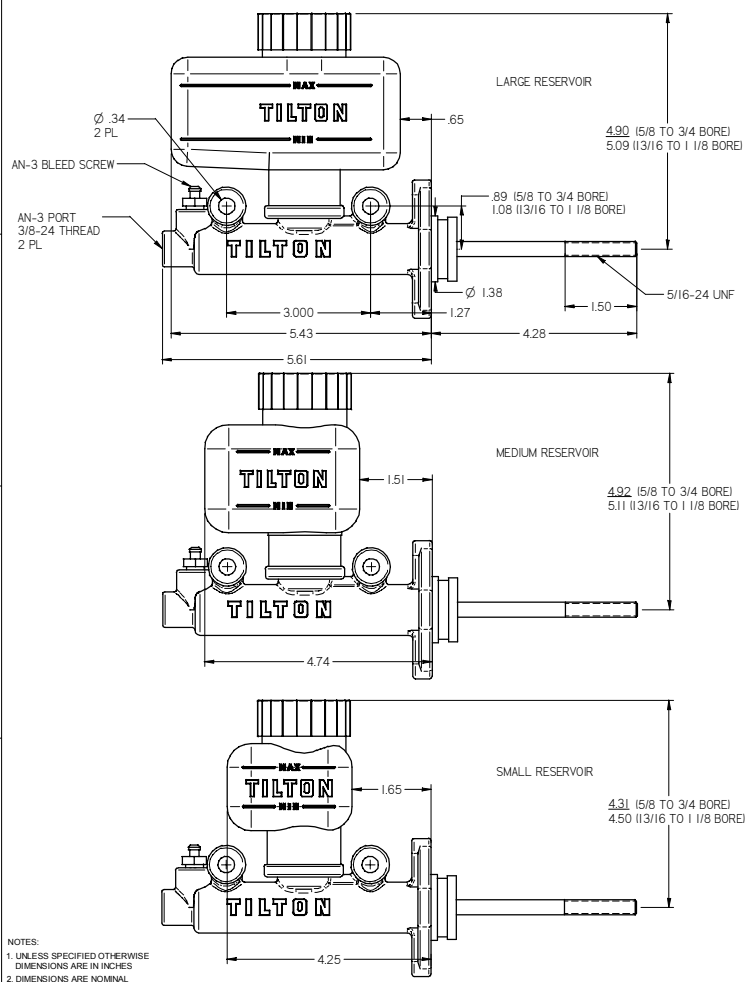


8	7	6	5	4	3	2	1				
						ZONE	CHKD	DATE	REV	ECN	CHANGE OR ADDITION



NOTES:
 1. UNLESS SPECIFIED OTHERWISE DIMENSIONS ARE IN INCHES
 2. DIMENSIONS ARE NOMINAL

TILTON ENGINEERING, INC.		(805)688-2300 FAX (805)688-2745	
25 EASY STREET P.O. BOX 1787		BUJELLTON, CALIFORNIA 94227 USA	
TITLE: 74 SERIES MASTER CYLINDER WITH SMALL MEDIUM AND LARGE RESERVOIRS			
DRN BY ROBINSON	CHKD	SCALE 1:1	EDWG
P/N 74-300	DATE 06/27/02	SHEET 1 OF 1	DWG#

This document contains proprietary information of TILTON ENGINEERING, INC. and its receipt or possession does not convey the rights in the information contained herein. Reproduction, distribution, or use without specific written authorization of TILTON ENGINEERING, INC. is strictly prohibited.

TILTON ENGINEERING