

## Tilton Pedal Assemblies

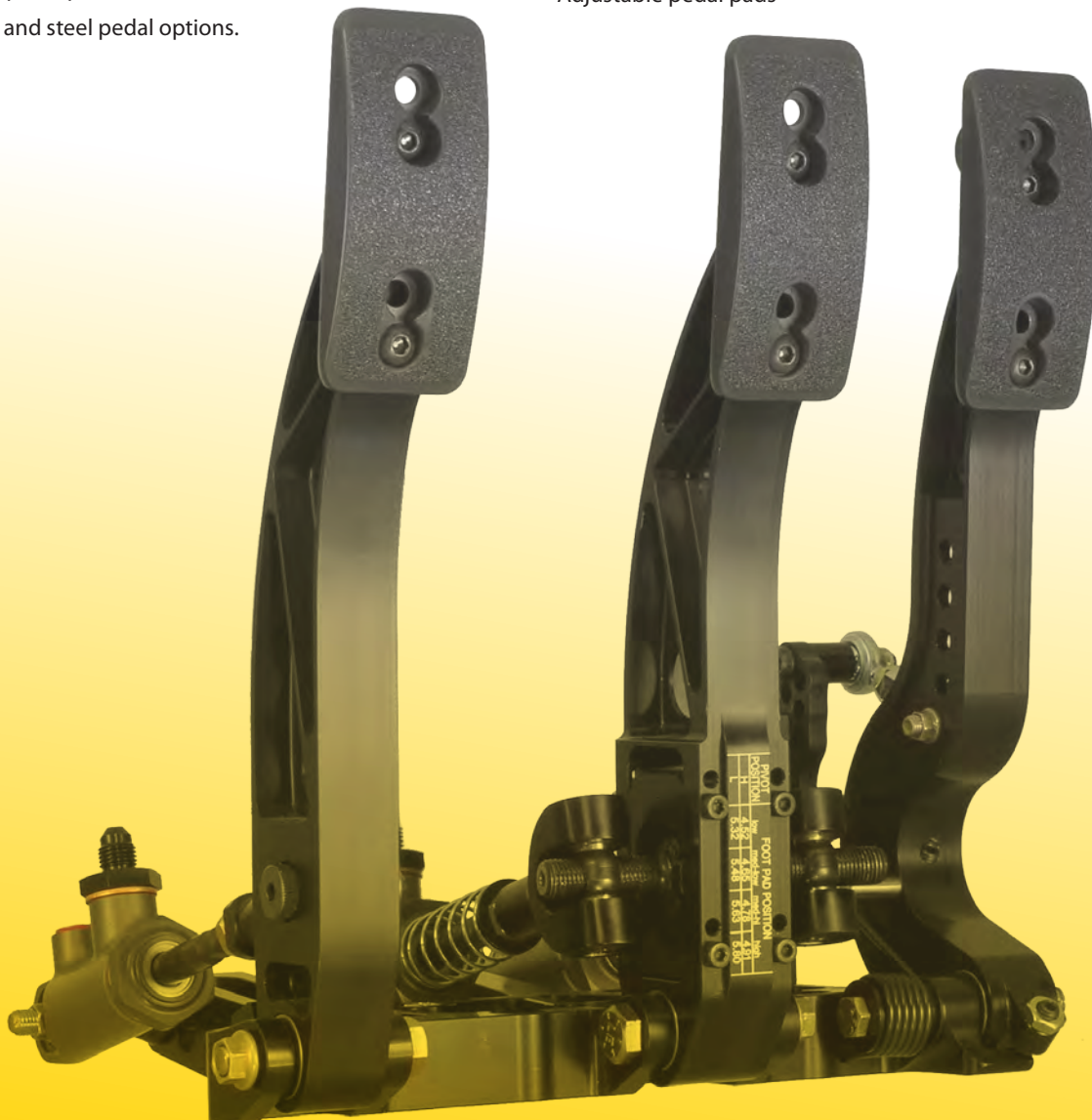
Tilton offers a wide range of pedal assemblies for use in racing and high-performance applications. Pedal assemblies are available in Floor-mount, Firewall-mount and Overhung configurations. 600-Series pedal assemblies feature traditional fixed-mount master cylinder & balance bar technology and provide excellent performance at competitive prices. 900-Series pedal assemblies feature the latest in pivot-mount master cylinder technology that offers the ultimate in balance bar efficiency, providing exceptional driver feedback and repeatable braking.

### 600-Series Pedal Assembly Features

- Fully optimized for strength and weight using Finite Element Analysis (FEA)
- Traditional balance bar and fixed mounted master cylinder design
- Large diameter 7/16" diameter balance bar minimizes flex to provide a solid pedal feel/response. PTFE coated aluminum clevises for increase durability and reduced friction.
- Oil-impregnated bronze bushing at pedal pivots
- Adjustable pedal pads
- Aluminum and steel pedal options.

### 900-Series Pedal Assembly Features

- Fully optimized for strength and weight using Finite Element Analysis (FEA)
- Pivot-mount master cylinders and fixed "gimbal-type" balance bar virtually eliminates brake migration through braking zone.
- Billet pedals and frame
- Adjustable pedal ratios
- Ball and/or needle bearings at pedal pivots
- Adjustable pedal pads



## 3-Pedal Floor-Mount

600  
series

P/N 72-603\*

Pedal Material:	<b>Aluminum</b>
Ratio:	<b>Varies</b>
Weight:	<b>5.5 lbs (2.5 kg)</b>
P/N:	<b>72-603</b>

**1** Forged aluminum pedals with adjustable (vertical & horizontal) foot pads and anti-slip surfaces. Ratios achievable: 5.29:1, 5.44:1, 5.61:1, 5.75:1.

**2** Lightweight aluminum frame features guide "ramps" to reduce balance bar tipping. By reducing balance bar tipping brake repeatability is improved.

**3** Large diameter 7/16"-20 balance bar, allowing front/rear brake bias adjustments, minimizes flex to provide a solid pedal feel/response. PTFE coated aluminum clevises for increased durability and reduced friction.

**4** Pedal pivots feature wave washers to reduce lateral pedal movement and oil impregnated bronze bushings decrease stiction.

**5** Frame accepts optional throttle linkage kit (P/N 72-791).

**6** Adjustable throttle pedal stops limit pedal movement in both directions and adjustable clutch pedal stop prevents clutch over-stroking.

## Optional Components

## Page

## Master Cylinders

73 Series Master Cylinders	75
74 Series Master Cylinders	74
75 Series Master Cylinders	73
76 Series Master Cylinders	72

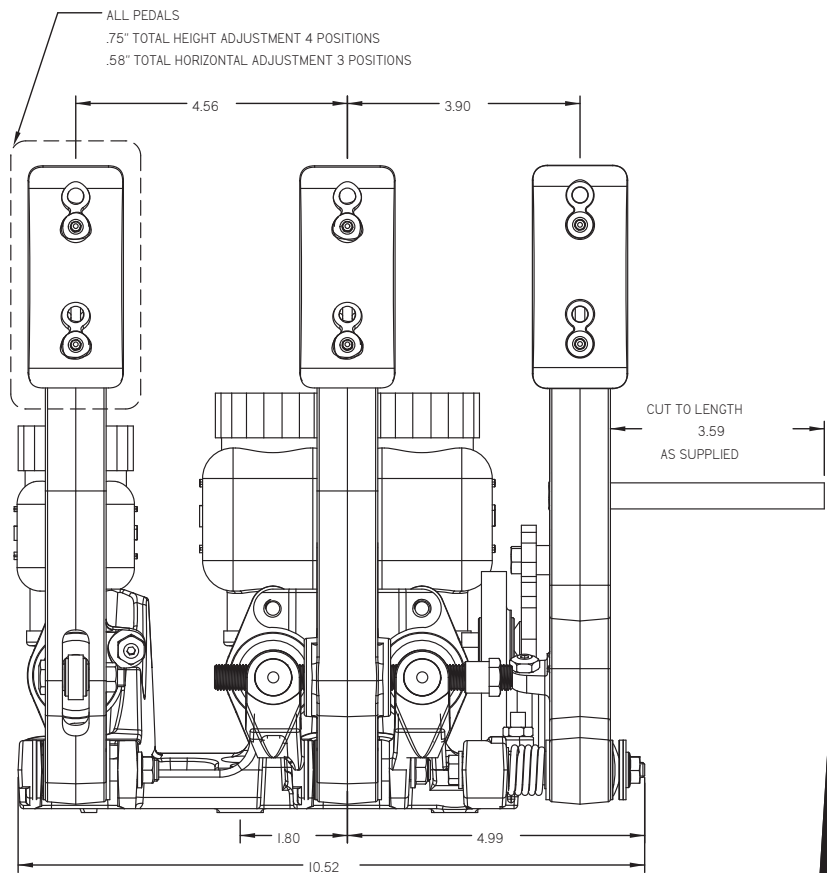
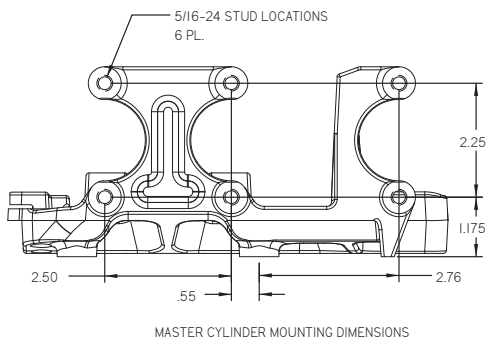
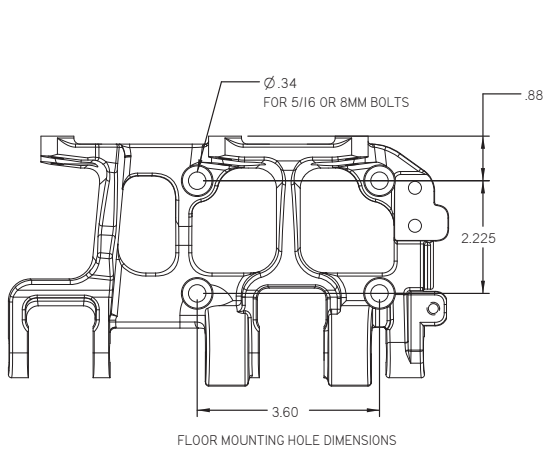
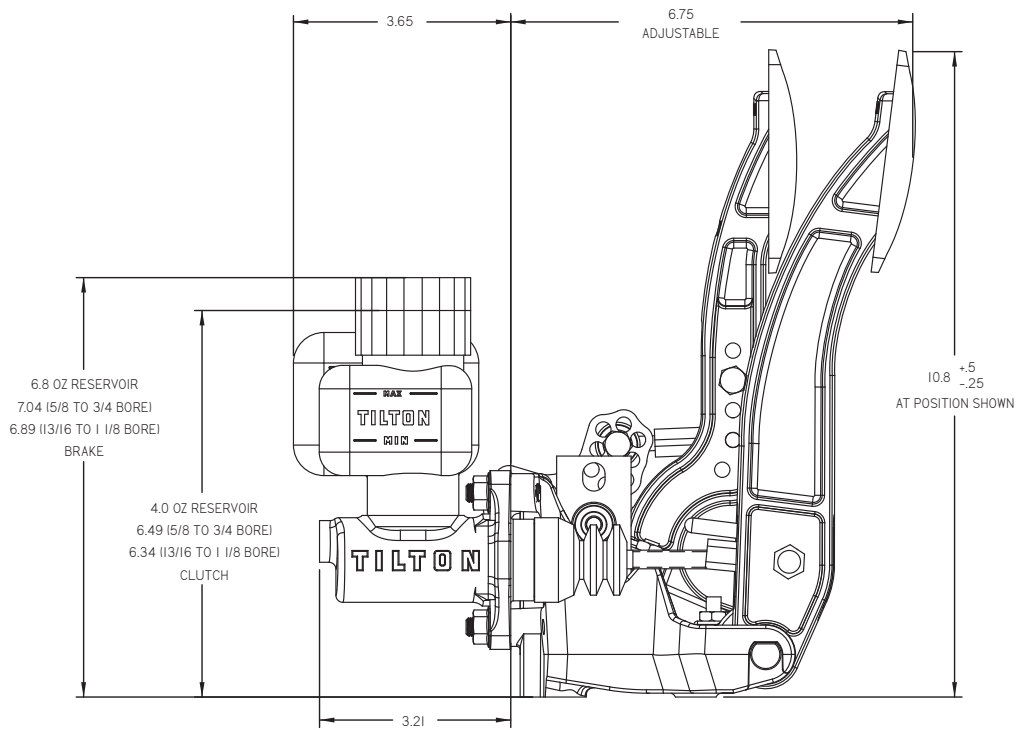
## Accessories

Premium Bias Adjuster	80
Standard Bias Adjuster	80
Right Angle Adjuster	80
3-in-1 Billet Reservoir	79
3-in-1 Poly Reservoir	78

\* does not include master cylinder(s)

### Detailed Pedal Information

Pedal assemblies do not include master cylinders



## 2-Pedal Floor-Mount

600  
series

P/N 72-604\*

Pedal Material:	<b>Aluminum</b>
Ratio:	<b>Varies</b>
Weight:	<b>4.6 lbs (2.1 kg)</b>
P/N:	<b>72-604</b>



1

Forged aluminum pedals with adjustable (vertical & horizontal) foot pads and anti-slip surfaces. Ratios achievable: 5.29:1, 5.44:1, 5.61:1, 5.75:1.



2

Lightweight aluminum frame features guide "ramps" to reduce balance bar tipping. By decreasing balance bar tipping, friction is decreased and brake repeatability is improved.



3

Large diameter 7/16"-20 balance bar, allowing front/rear brake bias adjustments, minimizes flex to provide a solid pedal feel/response. PTFE coated aluminum clevises for increased durability and reduced friction.



4

Pedal pivots feature wave washers to reduce lateral pedal movement and oil impregnated bronze bushings decrease stiction.



5

Adjustable clutch pedal stop prevents clutch over-stroking.

## Optional Components

## Page

## Master Cylinders

73 Series Master Cylinders	75
74 Series Master Cylinders	74
75 Series Master Cylinders	73
76 Series Master Cylinders	72

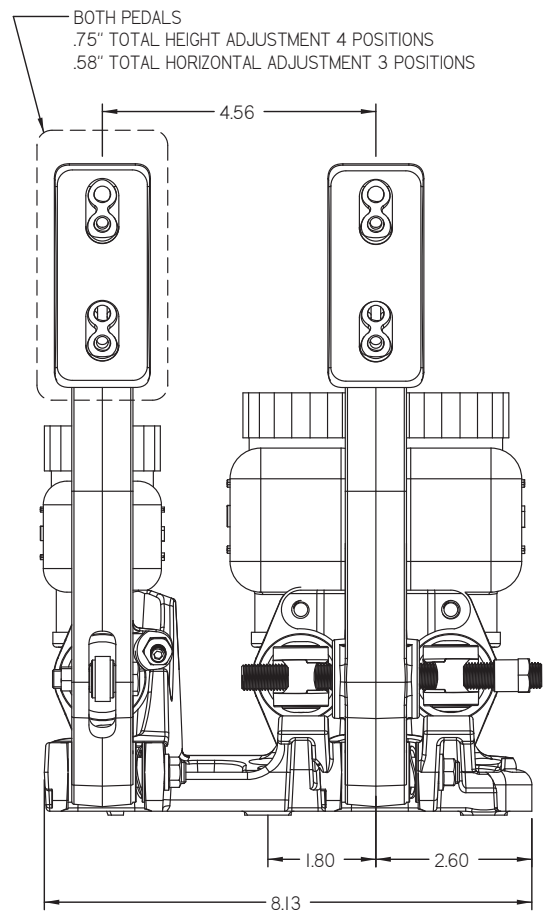
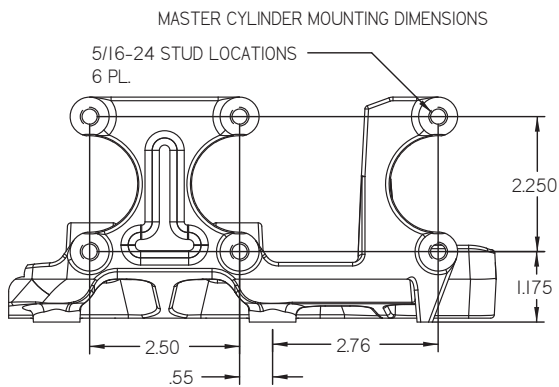
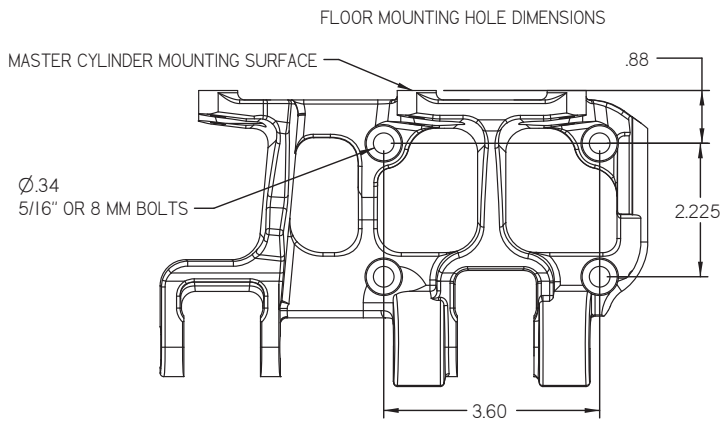
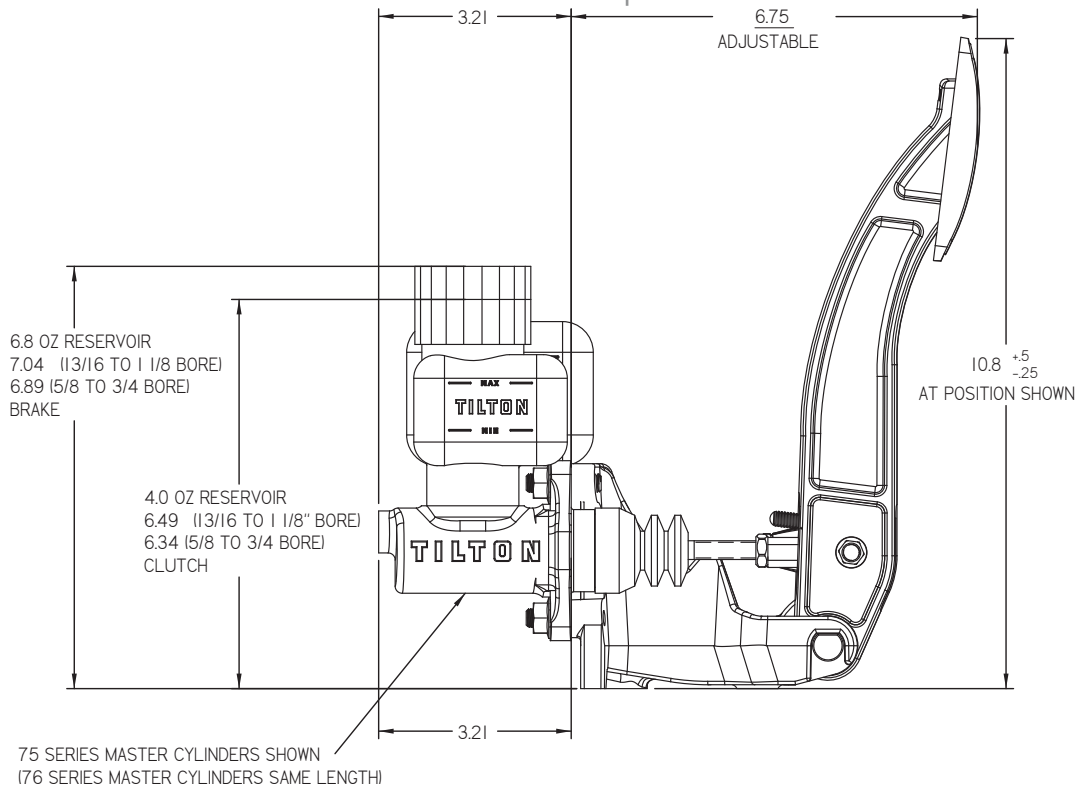
## Accessories

Premium Bias Adjuster	80
Standard Bias Adjuster	80
Right Angle Adjuster	80
3-in-1 Billet Reservoir	79
3-in-1 Poly Reservoir	78

\*does not include master cylinder(s)

### Detailed Pedal Information

Pedal assemblies do not include master cylinders





## 2-Pedal Overhung-Mount

600  
series

P/N 72-602\*

**There are 3 Models available:**

Pedal Material: **Aluminum**  
 Ratio: **6.2:1 ratio**  
 Weight: **4.4 lbs (2.0 kg)**  
 P/N: **72-602**

Pedal Material: **Aluminum**  
 Ratio: **5.5:1 ratio**  
 Weight: **4.2 lbs (1.9 kg)**  
 P/N: **72-605**

Pedal Material: **Steel**  
 Ratio: **6.2:1 ratio**  
 Weight: **5.1 lbs (2.3 kg)**  
 P/N: **72-606**



1

Aluminum pedals with adjustable foot pads and anti-slip surfaces (P/N 72-602 & 72-605). Fabricated steel pedals with anti-slip surfaces (P/N 72-606).



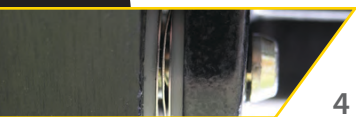
2

Lightweight aluminum frame features guide "ramps" to reduce balance bar tipping. By decreasing balance bar tipping, friction is decreased and brake repeatability is improved.



3

Large diameter 7/16"-20 balance bar, allowing front/rear brake bias adjustments, minimizes flex to provide a solid pedal feel/response. PTFE coated aluminum clevises for increased durability and reduced friction.



4

Pedal pivots feature wave washers to reduce lateral pedal movement and oil impregnated bronze bushings decrease stiction.



5

Adjustable clutch pedal stop prevents clutch over-stroking (P/N 72-606 only).



P/N 72-606\*

**Optional Components****Page****Master Cylinders**

73 Series Master Cylinders	75
74 Series Master Cylinders	74
75 Series Master Cylinders	73
76 Series Master Cylinders	72

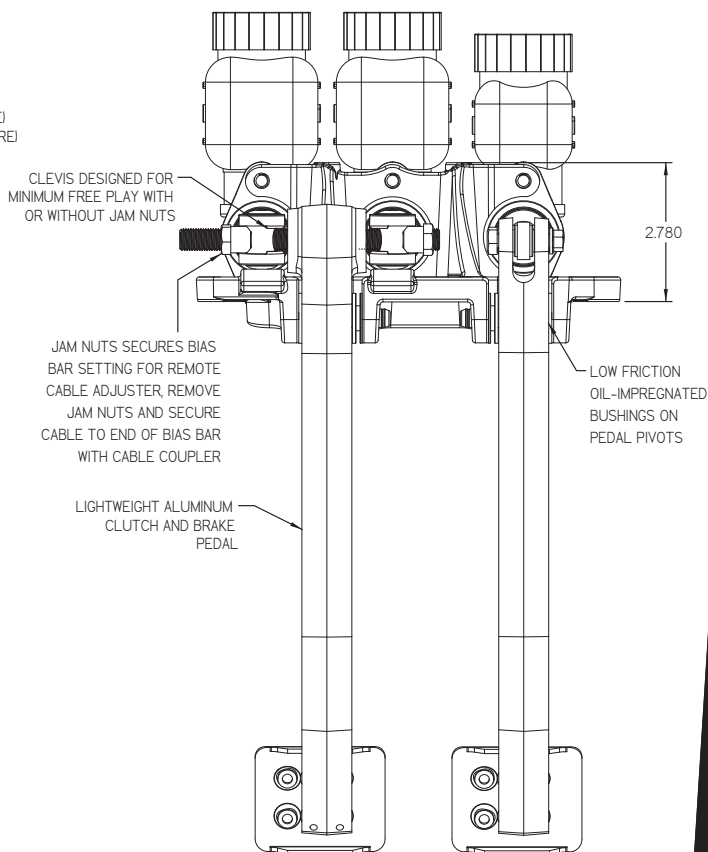
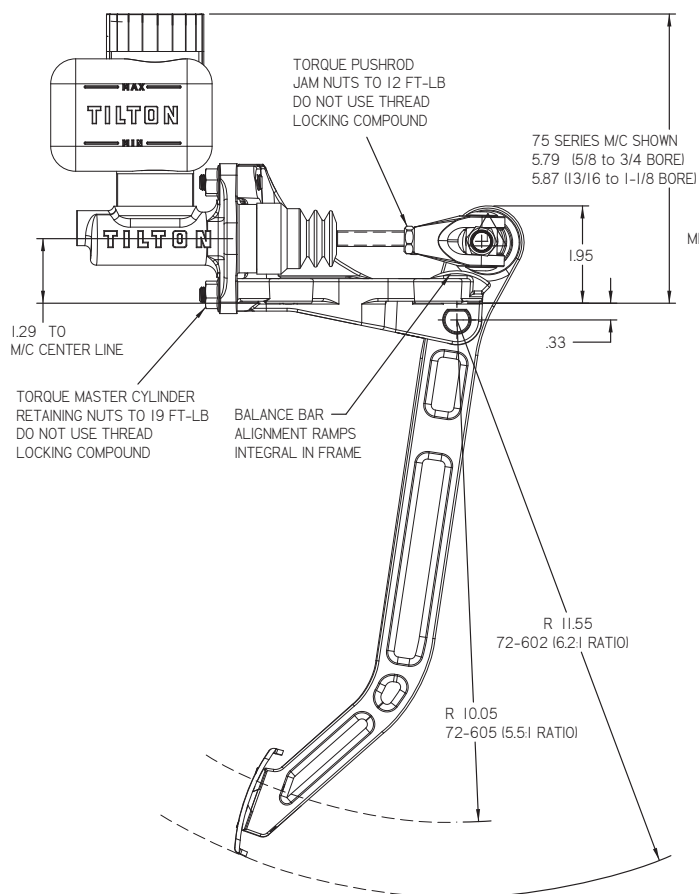
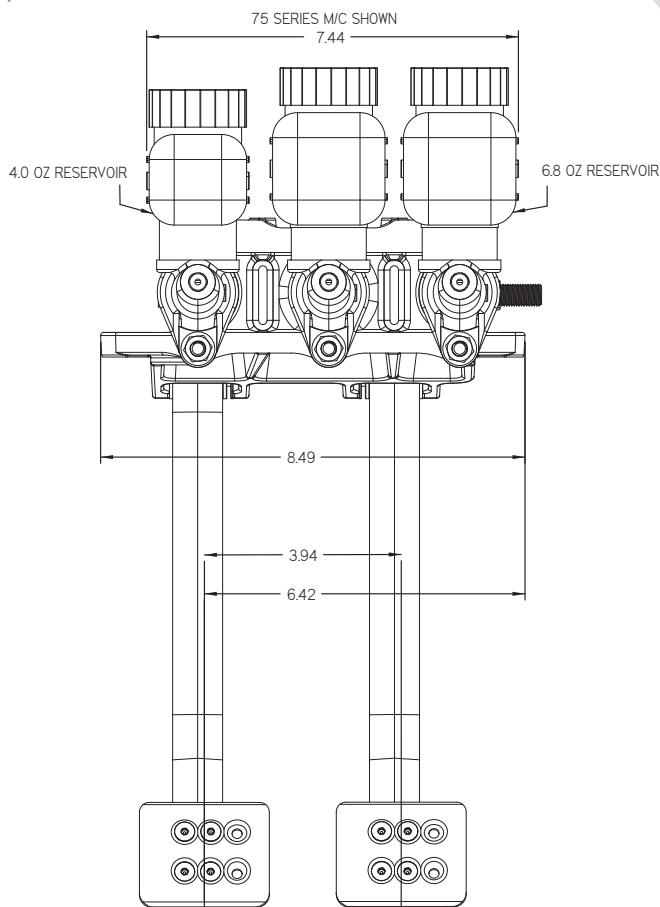
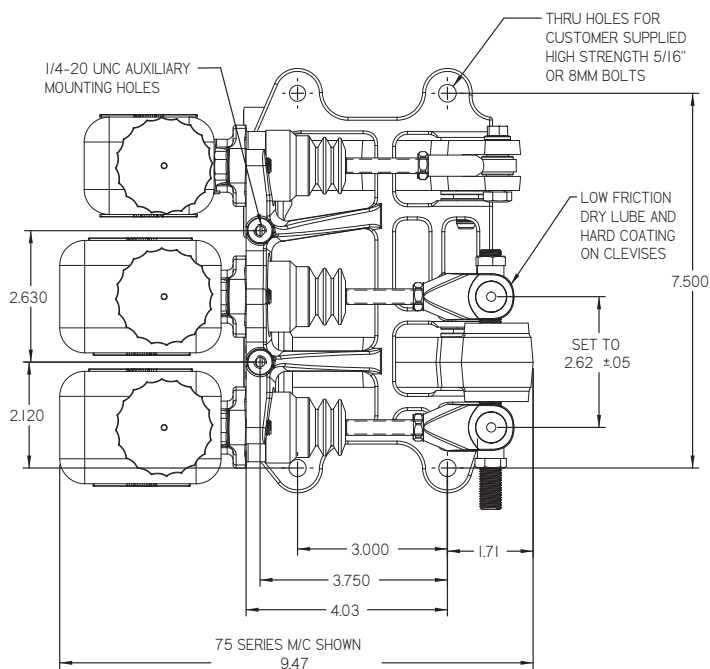
**Accessories**

Premium Bias Adjuster	80
Standard Bias Adjuster	80
Right Angle Adjuster	80
3-in-1 Billet Reservoir	79
3-in-1 Poly Reservoir	78

\* does not include master cylinder(s)

### Detailed Pedal Information

Pedal assemblies do not include master cylinders



## 2-Pedal Firewall-Mount

600  
series

P/N 72-601\*

Pedal Material:	<b>Steel</b>
Ratio:	<b>6.2 : 1</b>
Weight:	<b>4.6 lbs (2.2 kg)</b>
P/N:	<b>72-601</b>

*Fabricated steel pedals with anti-slip surfaces.*

1

*Lightweight aluminum frame features guide "ramps" to reduce balance bar tipping. By decreasing balance bar tipping, friction is decreased and brake repeatability is improved.*

2

*Large diameter 7/16"-20 balance bar, allowing front/rear brake bias adjustments, minimizes flex to provide a solid pedal feel/response. PTFE coated aluminum clevises for increased durability and reduced friction.*

3

*Pedal pivots feature wave washers to reduce lateral pedal movement and oil impregnated bronze bushings decrease stiction.*

4

*Adjustable clutch pedal stop prevents clutch over-stroking.*

5

## Optional Components

## Page

## Master Cylinders

73 Series Master Cylinders	75
74 Series Master Cylinders	74
75 Series Master Cylinders	73
76 Series Master Cylinders	72

## Accessories

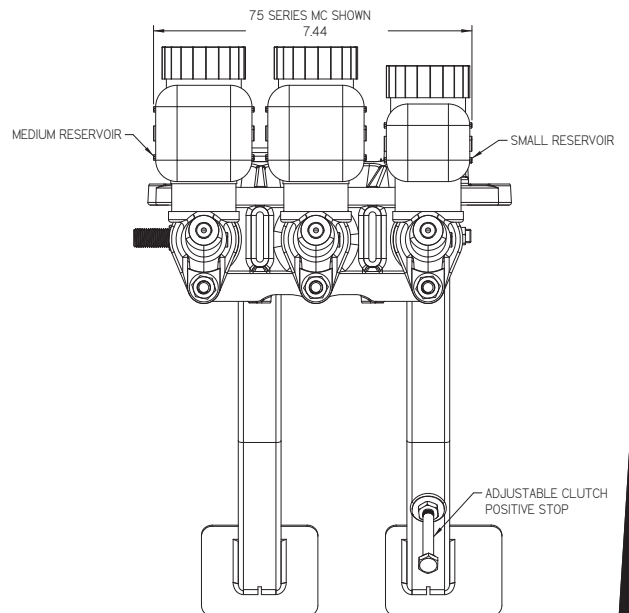
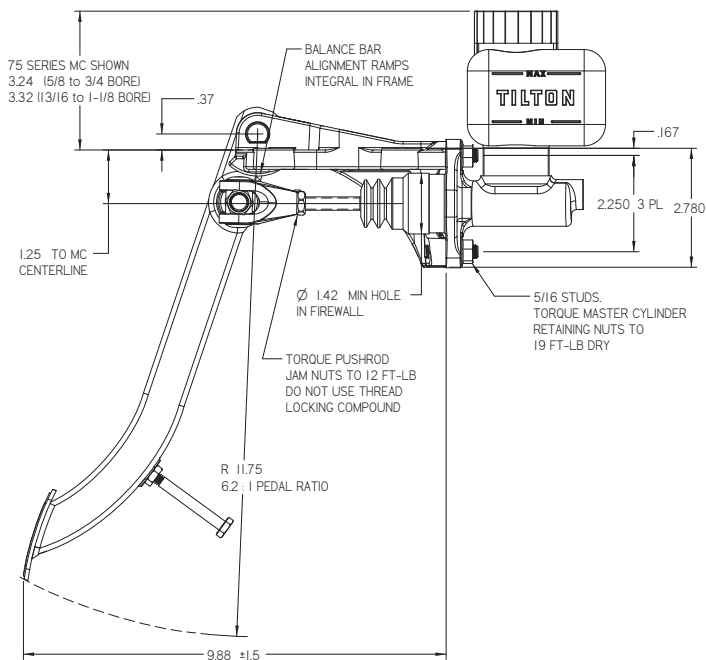
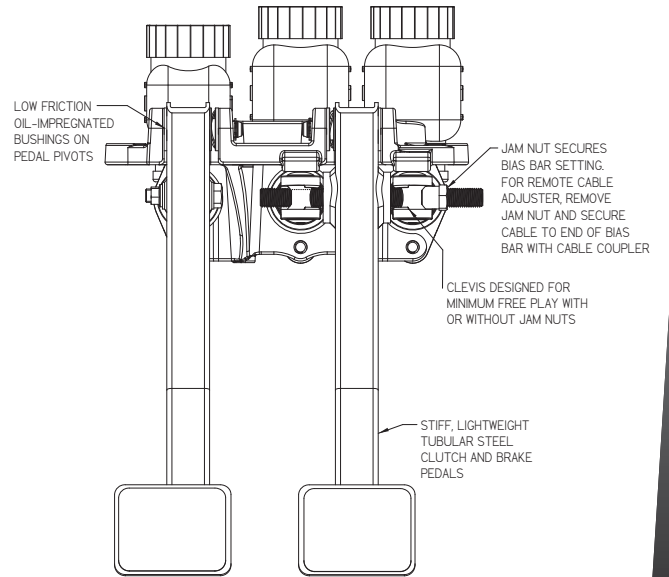
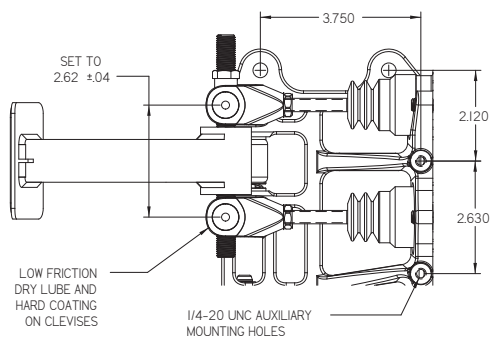
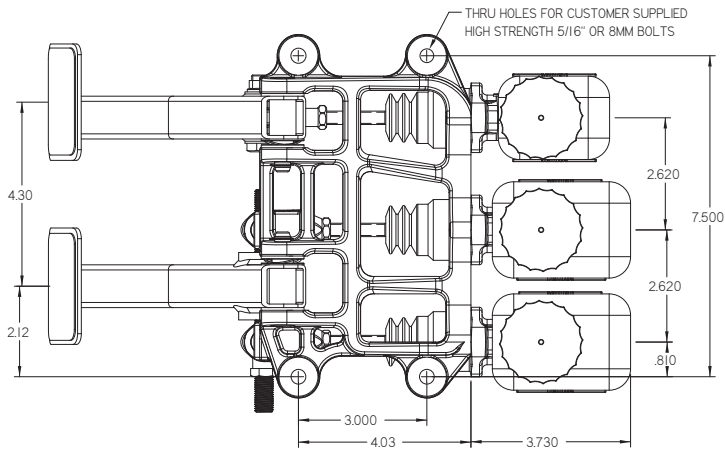
Premium Bias Adjuster	80
Standard Bias Adjuster	80
Right Angle Adjuster	80
3-in-1 Billet Reservoir	79
3-in-1 Poly Reservoir	78

\*does not include master cylinder(s)



### Detailed Pedal Information

Pedal assemblies do not include master cylinders



## 3-Pedal Floor-Mount

900  
series

P/N 72-903\*

Pedal Material:	<b>Aluminum</b>
Ratio:	<b>Varies</b>
Weight:	<b>5.0 lbs (2.3 kg)</b>
P/N:	<b>72-903</b>



1

Pivot-mount master cylinders and fixed "gimbal-type" balance bar virtually eliminates the common problem of rear brake bias migration through the braking zone.



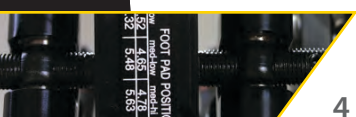
2

Billet aluminum pedal frame and pedals with adjustable foot pads and anti-slip surfaces.



3

7/16"-20 balance bar allows front/rear brake bias adjustments and maximum rigidity.



4

8 ratios available (4.52:1, 4.65:1, 4.78:1, 4.91:1, 5.32:1, 5.48:1, 5.63:1, 5.80:1), enabling the brake pedal to be tuned for driver preference without changing the master cylinder bore size.



5

Integrated angle limit in case of front or rear brake circuit failure. Longer clevis for increased front master cylinder stroke.



6

Adjustable throttle pedal stops limit pedal movement in both directions and adjustable clutch pedal stop prevents clutch over-stroking.

## Optional Components

## Page

## Master Cylinders

77 Series Master Cylinders	71
----------------------------	----

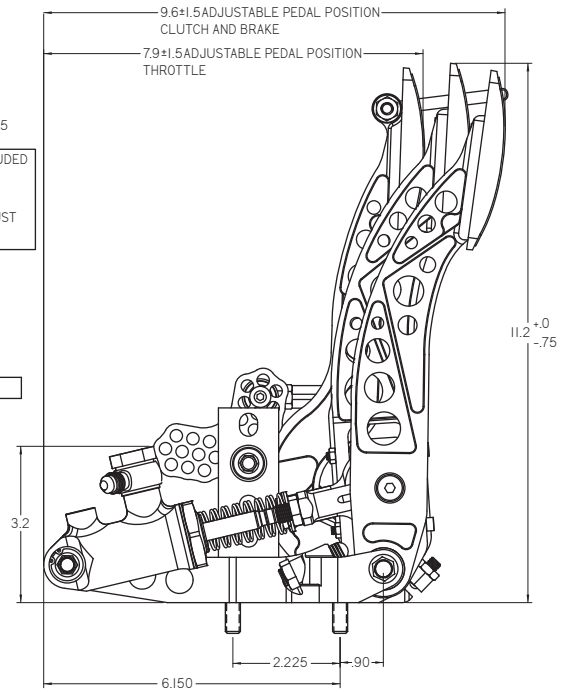
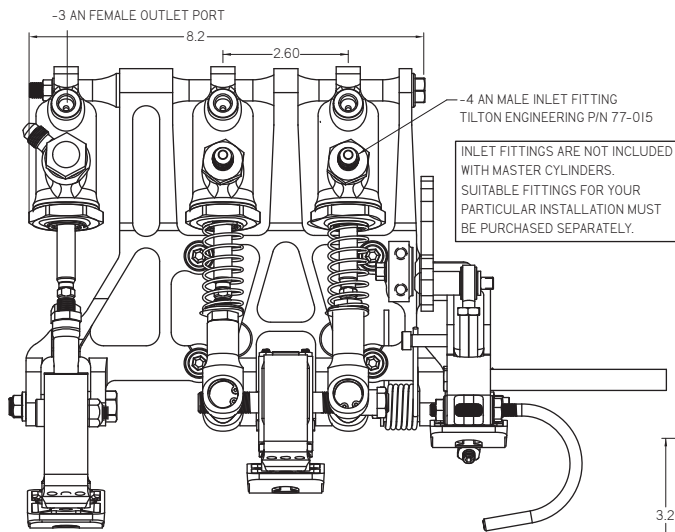
## Accessories

Premium Bias Adjuster	80
Standard Bias Adjuster	80
Right Angle Adjuster	80
3-in-1 Billet Reservoir	79
3-in-1 Poly Reservoir	78

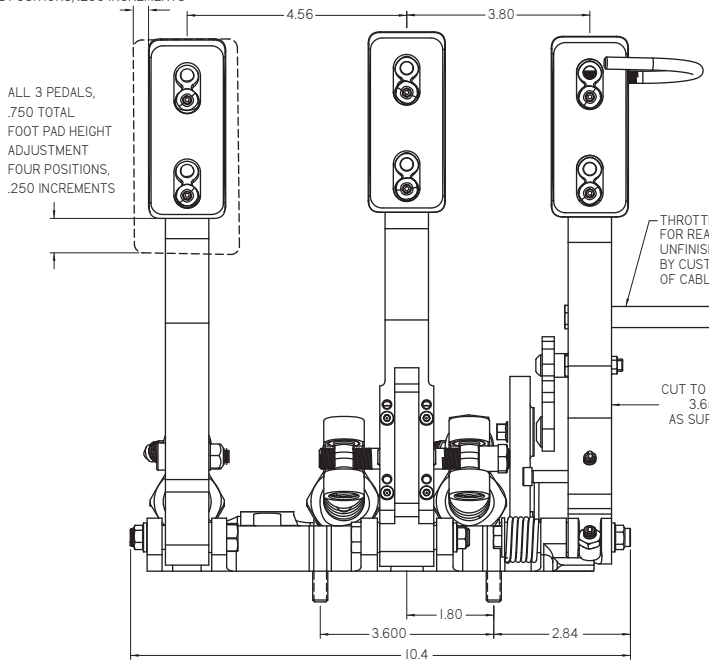
\* does not include master cylinder(s)

### Detailed Pedal Information

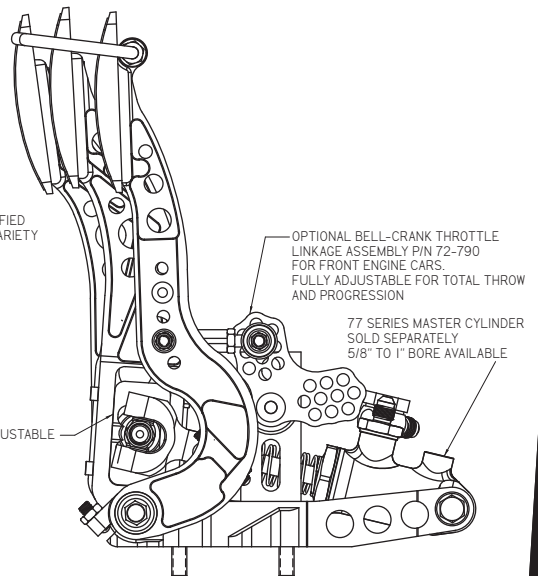
Pedal assemblies do not include master cylinders



ALL 3 PEDALS, .580 TOTAL FOOT PAD SIDE ADJUSTMENT THREE POSITIONS, .290 INCREMENTS



ALL 3 PEDALS, .750 TOTAL FOOT PAD HEIGHT ADJUSTMENT FOUR POSITIONS, .250 INCREMENTS



## 2-Pedal Overhung-Mount

900  
series

P/N 72-902\*

Pedal Material:	<b>Aluminum</b>
Ratio:	<b>Varies</b>
Weight:	<b>4.4 lbs (2.0 kg)</b>
P/N:	<b>72-902</b>



1

Pivot-mount master cylinders and fixed "gimbal-type" balance bar virtually eliminates the common problem of rear brake bias migration through the braking zone.



2

Billet aluminum pedal frame and pedals with adjustable foot pads and anti-slip surfaces.



3

7/16"-20 balance bar allows front/rear brake bias adjustments. 3 ratios achievable (6.2:1, 5.5:1, 4.7:1), enabling the brake pedal to be tuned for driver preference without changing the master cylinder bore size.



4

Integrated angle limit in case of front or rear brake circuit failure. Longer clevis for increased front master cylinder stroke.



5

Needle bearings utilized at all pedal pivots.



6

Adjustable clutch pedal stop prevents clutch over-stroking.

## Optional Components Page

## Master Cylinders

77 Series Master Cylinders	71
----------------------------	----

## Accessories

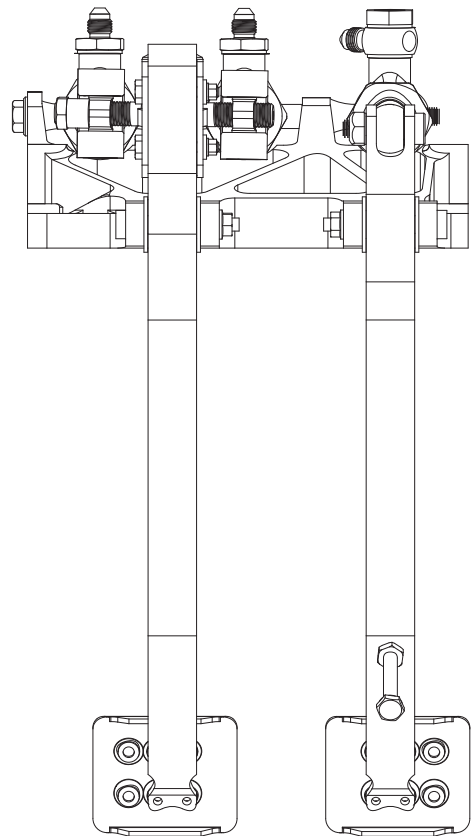
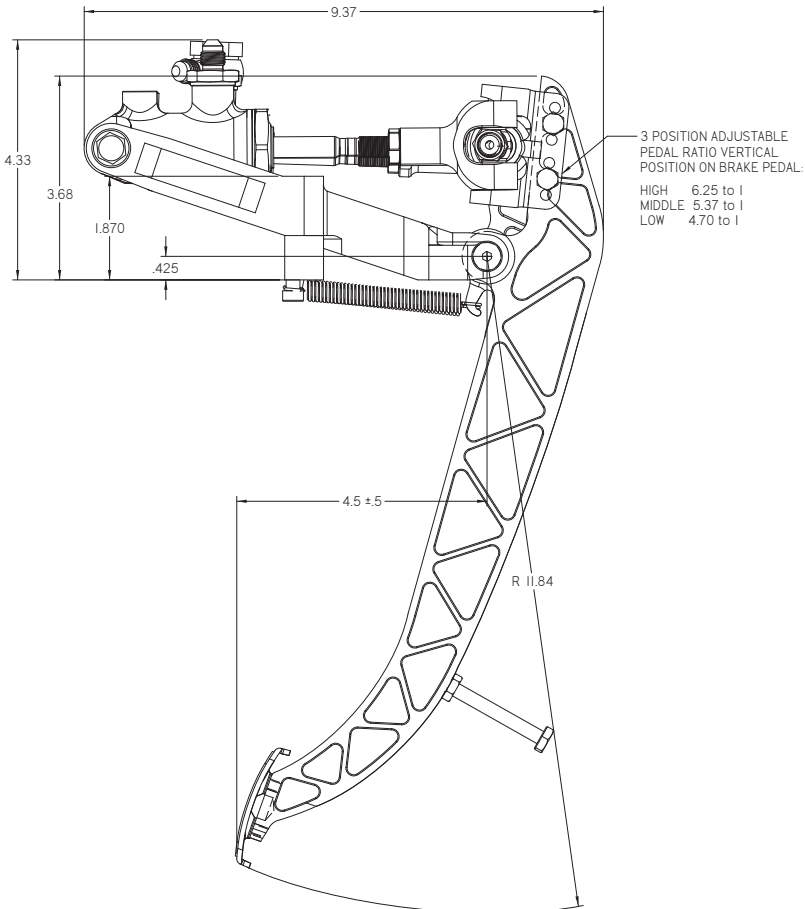
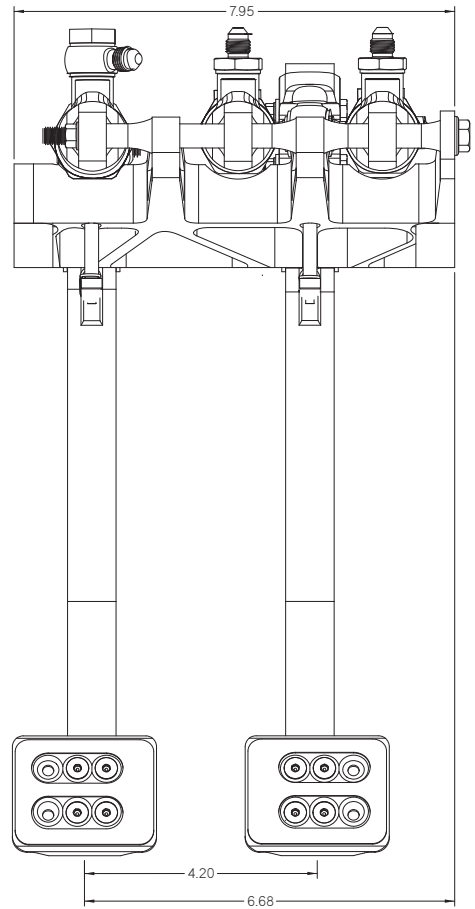
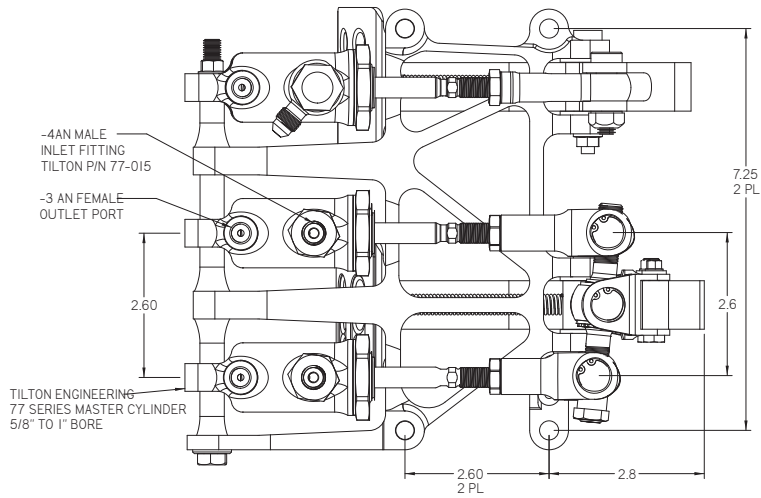
Premium Bias Adjuster	80
Standard Bias Adjuster	80
Right Angle Adjuster	80
3-in-1 Billet Reservoir	79
3-in-1 Poly Reservoir	78

\* does not include master cylinder(s)

### Detailed Pedal Information

Pedal assemblies do not include master cylinders

INLET FITTINGS ARE NOT INCLUDED WITH MASTER CYLINDERS. SUITABLE FITTINGS FOR YOUR PARTICULAR INSTALLATION MUST BE PURCHASED SEPERATELY.





## 2-Pedal Firewall-Mount

900  
series

P/N 72-901\*

Pedal Material:	<b>Aluminum</b>
Ratio:	<b>Varies</b>
Weight:	<b>4.9 lbs (2.2 kg)</b>
P/N:	<b>72-901</b>



1

Pivot-mount master cylinders and fixed "gimbal-type" balance bar virtually eliminates the common problem of brake bias migration through the braking zone.



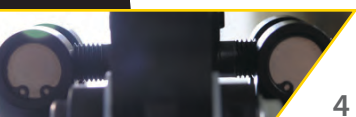
2

Billet aluminum frame and clutch pedal with adjustable foot pads and anti-slip surface.



3

Billet steel brake pedal with adjustable foot pads and anti-slip surface (meets NASCAR rules).



4

7/16"-20 balance bar allows front/rear brake bias adjustments. 3 ratios achievable (6.2:1, 5.5:1, 4.7:1), enabling the brake pedal to be tuned for driver preference without changing the master cylinder bore size.



5

Needle bearings utilized at all pedal pivots.



6

Adjustable clutch pedal stop prevents clutch over-stroking.

## Optional Components Page

## Master Cylinders

77 Series Master Cylinders	71
----------------------------	----

## Accessories

Premium Bias Adjuster	80
Standard Bias Adjuster	80
Right Angle Adjuster	80
3-in-1 Billet Reservoir	79
3-in-1 Poly Reservoir	78

\* does not include master cylinder(s)

### Detailed Pedal Information

Pedal assemblies do not include master cylinders

